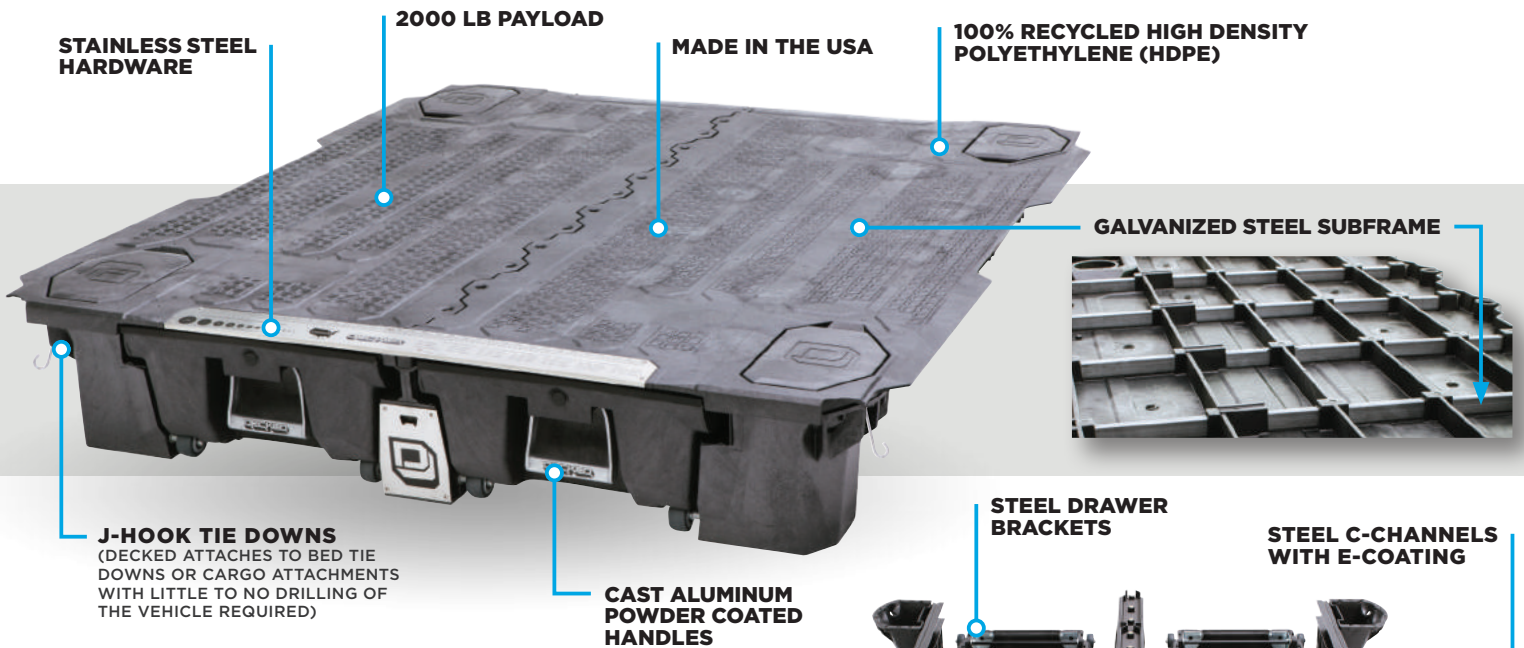


DECKED

DECKED revolutionizes in-vehicle storage with an efficient, weatherproof and ergonomic solution for almost every full size pickup truck and cargo van.

The DECKED system features two secure drawers that glide effortlessly while maintaining full use of the truck bed or cargo van footprint.



WEIGHT CAPACITIES

EVENLY DISTRIBUTED PAYLOAD	2000 LB
DRAWER CAPACITY (EACH)	200 LB

SYSTEM DIMENSIONS

	SHORT BED	STANDARD BED
LENGTH	64.54"	75.25"
WIDTH (VARIES TO FIT VEHICLE)	63"-71"	63"-71"
HEIGHT	12"	12"
TOTAL WEIGHT (LBS)	~200	~220

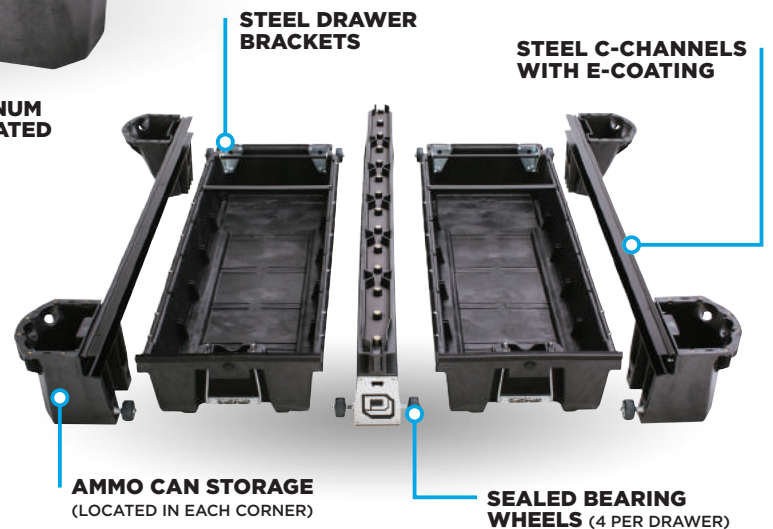
DRAWER DIMENSIONS

LENGTH (TOP OF DRAWER)	61.4"	72.1"
LENGTH (BOTTOM OF DRAWER)	55.4"	66.1"
WIDTH (TOP OF DRAWER)	18"	18"
WIDTH (BOTTOM OF DRAWER)	16.75"	16.75"
HEIGHT	8.5"	8.5"
DRAWER VOLUME (EACH)	5.4 FT ³	6 FT ³
DRAWER EXTENSION (EACH)	48"	48"

STEEL SUBFRAME

GALVANIZED STEEL TUBES (EACH DECK HALF)	6 TUBES	7 TUBES
---	---------	---------

EST. INSTALL TIME	90-120 MIN
EST. REMOVAL & REINSTALL TIME	15 MIN



CAPACITY & PAYLOAD

DECKED USES HDPE, AN INCREDIBLY RESILIENT PLASTIC WITH UV INHIBITORS THAT IS CO-MOLDED TO A STEEL SUBFRAME. THE RESULT IS A HIGHLY DURABLE PRODUCT THAT IS RELATIVELY LIGHT IN WEIGHT, YET BOASTS A REMARKABLE, EVENLY DISTRIBUTED, 2000 LB PAYLOAD RATING.

INTEGRATION

DECKED IS DESIGNED TO INTEGRATE WITH OTHER PRODUCTS. STEEL TUBES RUN Laterally THROUGH THE DECK ALLOWING ONE TO MOUNT OR ATTACH SLIDE SYSTEMS, VERTICAL SHELVING UNITS, CARGO TIE DOWNS AND OTHER ACCESSORIES. THESE TUBES ARE DEMARCATED BY DIMPLES IN THE DECK FOR EASY IDENTIFICATION.