

Polaris Ranger Gen 1 Rear Bumper Installation Instructions



Fitment:

-13-17 Ranger 1000

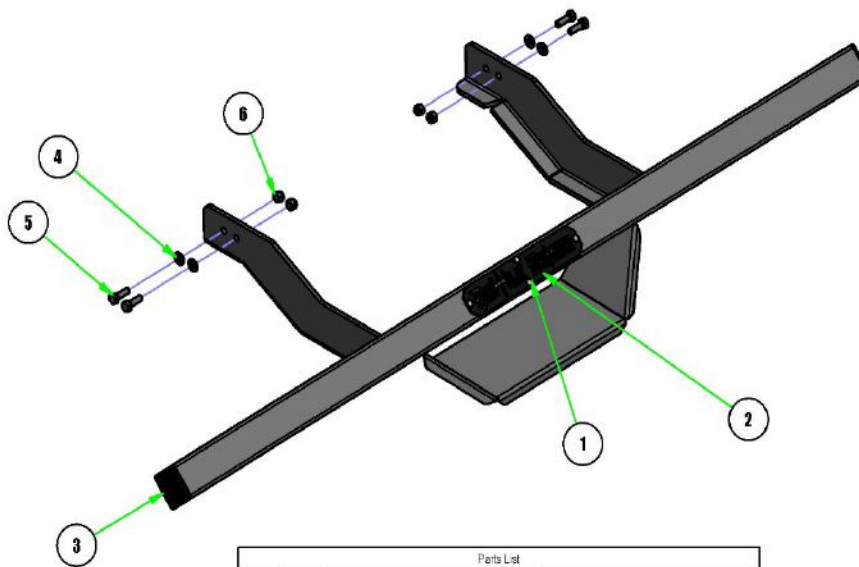
-13-18 Ranger 900

Part #: 200-1107-00

- 1) Raise bumper into place with bumper mounts on the outer frame rails as shown



- 2) Using the supplied hardware secure bumper to frame and tighten all hardware. Installation is complete



Parts List			
ITEM	QTY	PART NUMBER	DESCRIPTION
1	4	318-1001-00	3/16 Aluminum Black Rivet
2	1	326-6008-00	2" Battle Armor Badge
3	2	C14-9000-00	2x2 Square Plug
4	4	C19-8044-00	5/16" Flat Washer
5	4	C18-2007-00	5/16" x 1" Bolt
6	4	C13-8047-00	5/16-18 Nylock Insert Locknut

Note: Torque to factory specs.